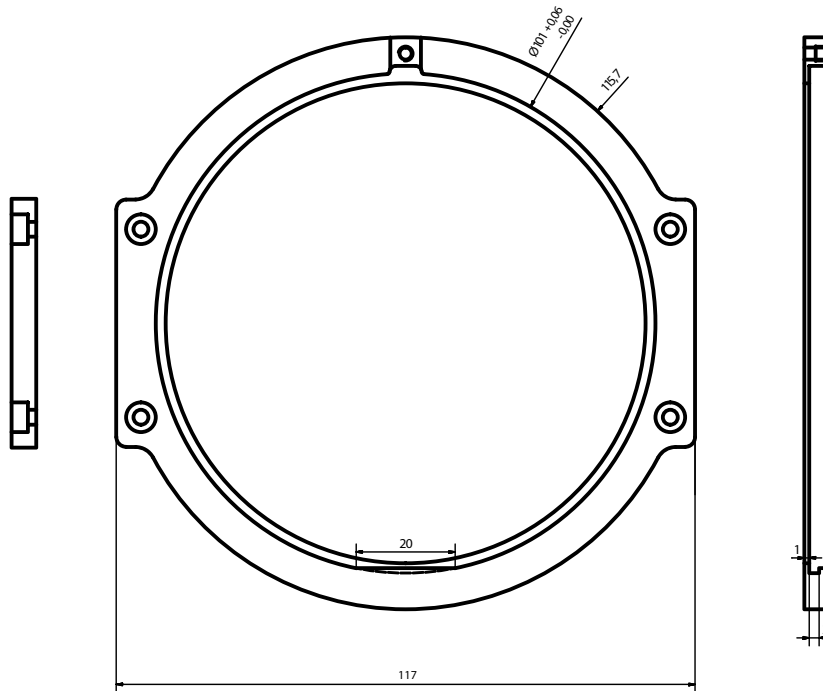


## Camera Filters - Accessories - 100mm Holder

**Material specifications:** 100% high quality aluminium

**Dimensions:**



**Dimensions tolerance:** +/- 1%

**Stacking filters:** 2x100mm wide filters, 3x100mm wide filters optional\*

**Reducing rings compatibility:** Ray Masters 100mm reducing rings, Cokin Z pro rings

**Marking:** Laser marking

**Surface protection:** Matte black elox

